

POTATO MACHINE

2 CM-1/2 TWO ROW POTATO PLANTERS

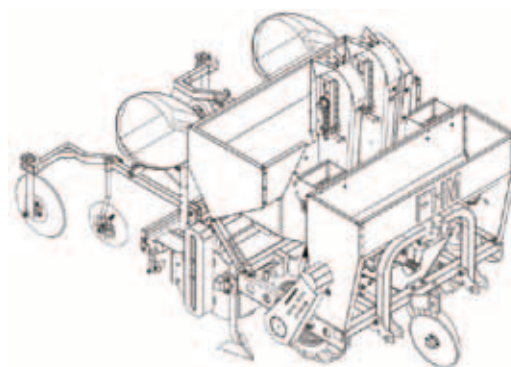
2CM-1/2 型大垄双行马铃薯种植机

Uses:

The Potato Planter is designed for modernized agricultural industry. It combines both economic planting cost and high productivity efficiency. It is approved that every index is better when planting by 2CM-1/2 than planting by manual operation.

Features:

- With our new potato planting rotary ridging equipment, the machine works out high ridge and fine soil. It suits for all types of soil and is reachable to meet all agricultural requirements.
- Adjustable seeding depth, row space and planting space.
- It processes ditching, fertilizing, seeding, ridging, spraying weed killer, spread granular vermifuge, mulching film by one time.
- Our potato planter has compact and flexible structure, it works smoothly and well adapt ably.



Model	2CM-1/2
Structure Sizes	2130x1330x1300
Tractor Attachment	3-Point Hitch
Tractor Horse Power	25-35
Maximum Wheel Space(mm)	1400
Planting Row Number	2
Planting Depth	80-150
Ridge Space(mm)	850-1200
Ridge Height (mm)	150-250
Seed Row Space	240-280
Plant Row Space	200-350
Fertilizer Type	Solid Particle
Rate of Fertilizer Amount	0-180 (KG per Mu)

